

NAME: _____

Fractions
Quiz 3
“Solve problems with fractions”

General directions: Write all answers in fractional form, for example $\frac{3}{4}$ instead of 0.75
Unless specified do not write improper fraction answers. For example write $3\frac{1}{2}$ instead of $\frac{7}{2}$. It is possible that some problems will end up with just a whole number answer...

1.) A recipe requires $\frac{3}{4}$ lb. of sugar. If you have a 20 lb supply of sugar, how many times could you make the recipe before running out? (Whole number answer)

2.) Determine the total hours worked by this employee.

Monday - $8\frac{1}{4}$ hrs

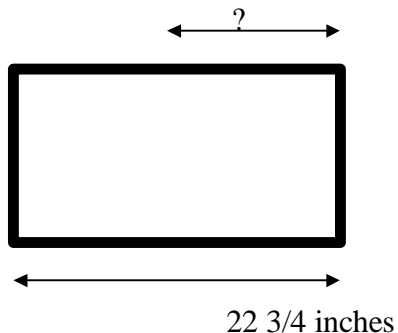
Tuesday - $7\frac{1}{2}$ hrs

Wednesday - $8\frac{3}{4}$ hrs

3.) A share of Acme Company stock was worth $\$11\frac{3}{8}$ at the start of the day. It's value dropped $\frac{3}{4}$ during the day. How much is a share of Acme stock worth at the end of the day? (Fractional answer)

4.) How much will a person earn for $2\frac{3}{4}$ hrs of overtime work if her regular pay is \$9 per hour? (The overtime rate is $1\frac{1}{2}$ times higher than the regular pay) Write your answer in fractional form.

5.) Determine the center of this picture frame:



NAME: _____

6.) On average, it takes Ray $\frac{3}{4}$ hr to type a lab report. How long would it take him to type 5 lab reports?

7.) Kim worked $38\frac{1}{2}$ hrs this week. How many *hours per day* did she work? (Assume a five-day work week.)

8.) Determine the total rainfall for the past three weeks:

Week 1 - $\frac{7}{8}$ inches

Week 2 - $1\frac{1}{2}$ in.

Week 3 - $2\frac{3}{8}$ in.

9.) Stock in BVR Corporation started the day at $\$34\frac{1}{8}$. By the end of the day it was worth $\$35\frac{1}{2}$. What was the amount of increase in the stock's value?

10.) Moe estimates that he spends about $\frac{1}{4}$ of his monthly take-home pay of \$1700 on food. How much (in dollars) does Moe spend on food per month?