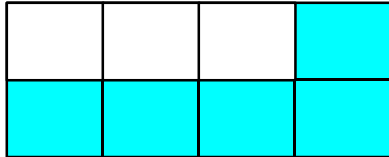


NAME: _____

Fractions
Quiz 1
“Introduction to Fractions”

1.) Five inches is what fractional part of a foot?

2.) What fractional part is shaded in the diagram below? The white area represents empty spaces.



3.) *Reduce* this fraction to lowest terms: $\frac{52}{60}$

4.) Change $3\frac{3}{8}$ to an improper fraction.

5.) $\frac{1}{5}$ is equivalent to $\frac{?}{20}$

6.) Change $\frac{9}{4}$ to a mixed number.

7.) Of the following fractions, which is the largest?

$$\frac{9}{16} \quad \frac{5}{8} \quad \frac{19}{32}$$

8.) Circle the two fractions in the list below that are equivalent .

$$\frac{3}{8} \quad \frac{3}{16} \quad \frac{9}{16} \quad \frac{9}{24}$$

NAME: _____

Fractions
Quiz 2
“Compute with Fractions”

- 1.) TRUE/FALSE The following fractions are added together correctly.

$$\frac{3}{8} + \frac{1}{2} = \frac{4}{10}$$

- 2.) TRUE/FALSE The procedure below is the correct way to multiply two mixed numbers.

$$3\frac{1}{2} \times 2\frac{1}{4} =$$

$$3 \times 2 = 6$$

$$\frac{1}{2} \times \frac{1}{4} = \frac{1}{8}$$

$$\text{Answer: } 6\frac{1}{8}$$

3.) Multiply: $\frac{3}{5} \times \frac{2}{3} =$

4.) Divide: $\frac{3}{4} \div \frac{1}{16} =$

5.) Multiply: $3\frac{2}{3} \times 4 =$

6.) Divide: $18 \div \frac{3}{8} =$

7.) Add: $\frac{1}{8} + \frac{1}{3} =$

8.) Subtract: $\frac{9}{16} - \frac{1}{8} =$

9.) Add: $5\frac{1}{2} + \frac{3}{16} =$

10.) Subtract: $12\frac{1}{4} - 9\frac{3}{4} =$

NAME: _____

Fractions
Quiz 3
“Solve problems with fractions”

General directions: Write all answers in fractional form, for example $\frac{3}{4}$ instead of 0.75
Unless specified do not write improper fraction answers. For example write $3\frac{1}{2}$ instead of $\frac{7}{2}$. It is possible that some problems will end up with just a whole number answer...

1.) A recipe requires $\frac{3}{4}$ lb. of sugar. If you have a 20 lb supply of sugar, how many times could you make the recipe before running out? (Whole number answer)

2.) Determine the total hours worked by this employee.

Monday - $8\frac{1}{4}$ hrs

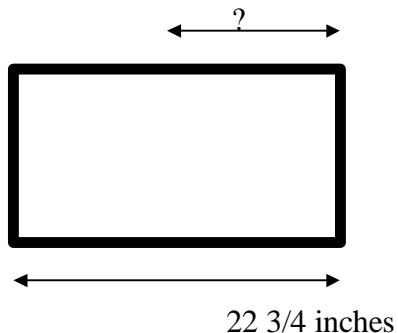
Tuesday - $7\frac{1}{2}$ hrs

Wednesday - $8\frac{3}{4}$ hrs

3.) A share of Acme Company stock was worth $\$11\frac{3}{8}$ at the start of the day. It's value dropped $\frac{3}{4}$ during the day. How much is a share of Acme stock worth at the end of the day? (Fractional answer)

4.) How much will a person earn for $2\frac{3}{4}$ hrs of overtime work if her regular pay is \$9 per hour? (The overtime rate is $1\frac{1}{2}$ times higher than the regular pay) Write your answer in fractional form.

5.) Determine the center of this picture frame:



NAME: _____

6.) On average, it takes Ray $\frac{3}{4}$ hr to type a lab report. How long would it take him to type 5 lab reports?

7.) Kim worked $38\frac{1}{2}$ hrs this week. How many *hours per day* did she work? (Assume a five-day work week.)

8.) Determine the total rainfall for the past three weeks:

Week 1 - $\frac{7}{8}$ inches

Week 2 - $1\frac{1}{2}$ in.

Week 3 - $2\frac{3}{8}$ in.

9.) Stock in BVR Corporation started the day at $\$34\frac{1}{8}$. By the end of the day it was worth $\$35\frac{1}{2}$. What was the amount of increase in the stock's value?

10.) Moe estimates that he spends about $\frac{1}{4}$ of his monthly take-home pay of \$1700 on food. How much (in dollars) does Moe spend on food per month?