

CYLINDER BLOCK EVALUATION

NAME

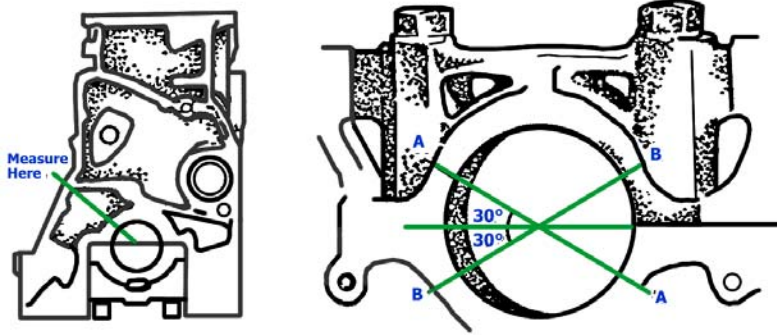
DATE

PROJECT

MAIN BEARING BORE SPECIFICATION

Cylinder Bore Diameter

Permissible Bore Out-of-Roundness



Cylinder Bearing Bore	Point A Measurement	Point B Measurement	Out of Roundness	Bore within Specification		Comments
				Yes	No	
1						
2						
3						
4						
5						
6						
7						
8						

Instructor's Initials: