

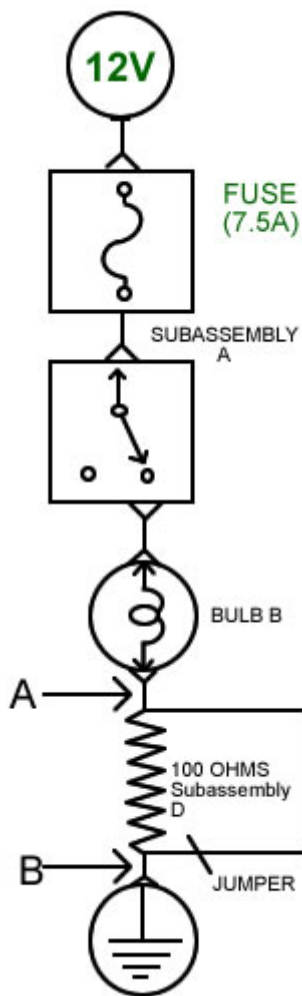
Ag Power and Equipment Technician

Electrical/Electronic Class
Meters – Lab 2

Name: _____
Date: _____

Competency: Understanding digital voltmeter operation – ohm scale.

Directions: Build the circuit shown below. Measure the resistance between points A and B



Power Off / Without Jumper	
Power Off / With Jumper	
Power On / With Jumper	

Instructor's Initials