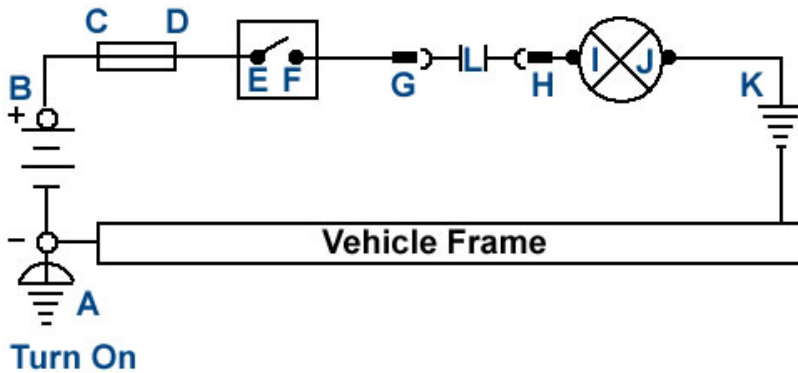


Electrical Unit Exercise Open Circuit



Name:

Date:

Using the diagram above, identify each component using the symbol shown by each letter (example: fuse, lamp, etc.) and enter the component name next to the location in the table below. Next, determine what voltage readings the technician should find at each point, using the scenario below. When testing the voltage at each point use the "key on" and "key off" and enter the voltage you should find at each point in the table below. After you have completed this exercise, have the instructor check your job sheet. Then using the Ag Power Web-enhanced program, recheck your readings and make any changes you find necessary. You will need a user ID and password to enter the computer program.

The technician is testing a 12-volt electrical system. He has placed a black (negative) lead on a good ground (location A). What will the readings be when the red (positive) lead is placed at the following points?

Location	Component	Switch	Switch	
Location A		Key Off	Key On	
Location B		Key Off	Key On	
Location C		Key Off	Key On	
Location D		Key Off	Key On	
Location E		Key Off	Key On	
Location F		Key Off	Key On	
Location G		Key Off	Key On	
Location H		Key Off	Key On	
Location I		Key Off	Key On	
Location J		Key Off	Key On	
Location K		Key Off	Key On	
Location L		Key Off	Key On	

Instructor's Initials: