

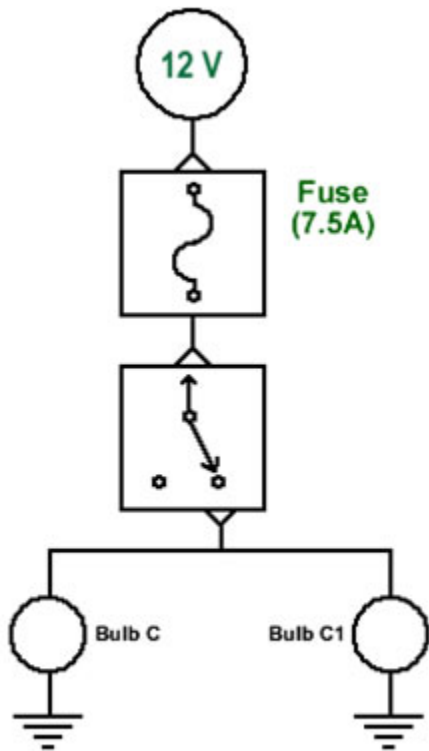
# Ag Power and Equipment Technician

**Electrical/Electronic Class**  
**Parallel Circuits Lab 1**

Name \_\_\_\_\_  
 Date \_\_\_\_\_

**Competency:** Understanding parallel circuit characteristics.

**Directions:** Using our color coding strategy, highlight this circuit then have your instructor sign off the job sheet. Then build the circuit shown below on the electrical trainer. Make the following measurements to complete this job sheet.



Voltage drop across Bulb C	
Voltage drop across Bulb C1	
Source Voltage	
Current in Bulb C Branch	
Current in Bulb C1 Branch	
Total Current	

Instructor's Initials