

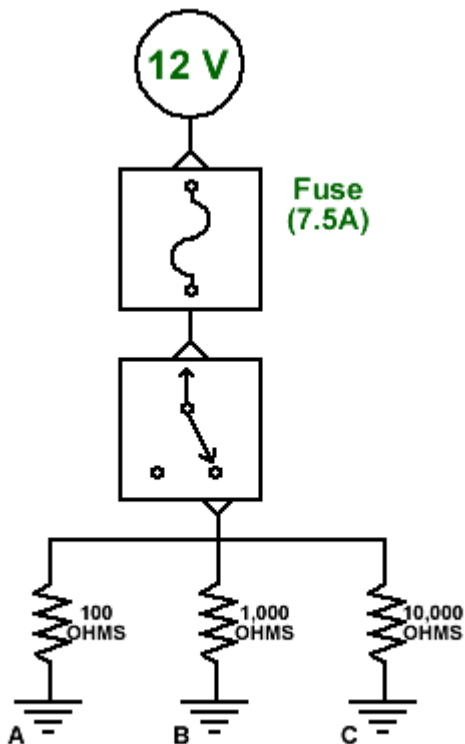
Ag Power and Equipment Technician

Electrical/Electronic Class
Parallel Circuits - Lab 3 (page 1)

Name _____
 Date _____

Competency: Understanding series circuit characteristics.

Directions: Using our color coding strategy, highlight this circuit, then have your instructor sign off the jobsheet. Then build the circuit shown below on the electrical trainer (Use subassembly E). Make the following measurements to complete this jobsheet.



MEASURED

Total Resistance	
Branch A Resistance	
Branch B Resistance	
Branch C Resistance	
Total Resistance	
Branch A Current	
Branch B Current	
Branch C Current	
Total Current	

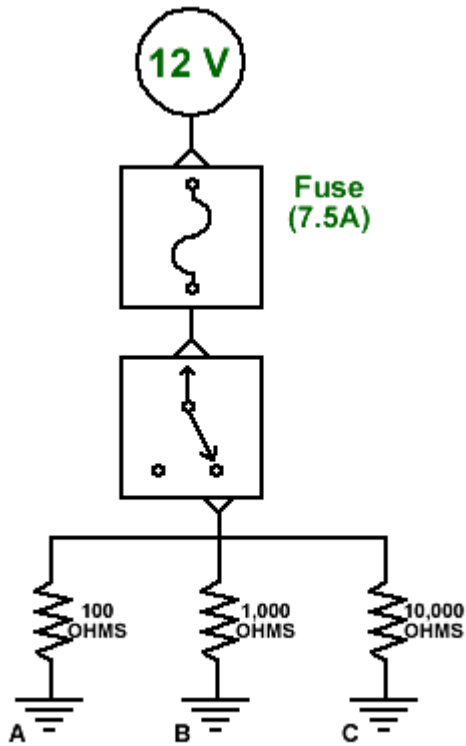
Instructor's Initials

Ag Power and Equipment Technician

Electrical/Electronic Class
Parallel Circuits - Lab 3 (page 2)

Name

Date



CACULATED

Total Resistance	
Branch A Current	
Branch B Current	
Branch C Current	
Total Current	
Branch A Voltage Drop	

Instructor's Initials