

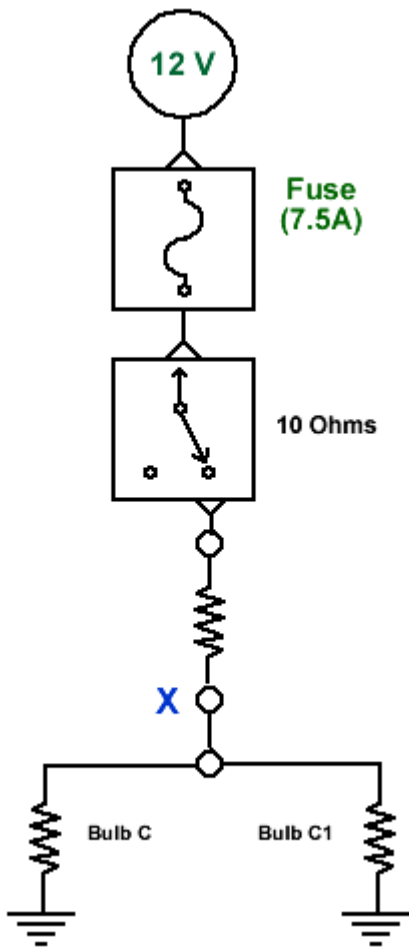
Ag Power and Equipment Technician

Electrical/Electronic Class
Parallel Circuits – Lab 4
 Example of Instrument Panel Lights

Name _____
 Date _____

Competency: Understanding series circuit characteristics.

Directions: Using our color coding strategy, highlight this circuit then have your instructor sign off the job sheet. Then build the circuit shown below on the electrical trainer. Make the following measurements to complete this job sheet.



MEASURE

Bulb C Current	
Bulb C1 Current	
Total Current	
10 Ohm Resister Voltage Drop	
Bulb C Voltage Drop	
Bulb C1 Voltage Drop	
Voltage at Location X	

Instructor's Initials