

Ag Power and Equipment Technician

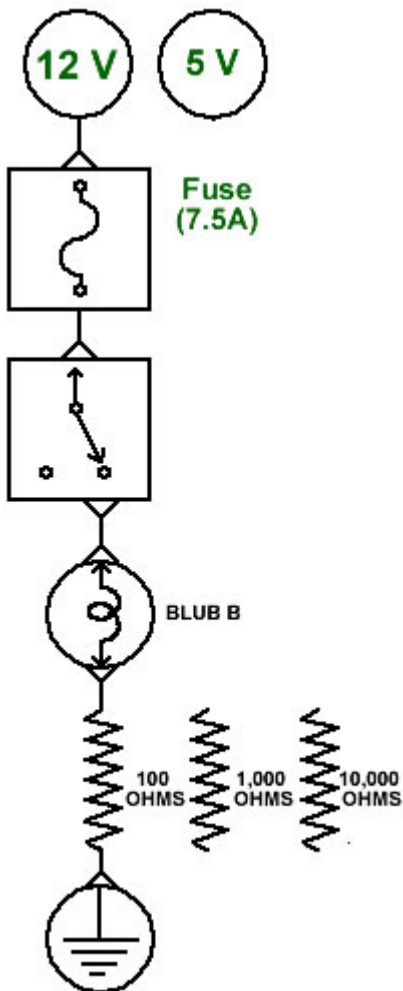
Electrical/Electronic Class
Series Circuit – Lab 4

Name _____

Date _____

Competency: Understanding series circuit characteristics.

Directions: Using our color coding strategy, highlight this circuit then have your instructor sign off the job sheet. Then build the circuit shown below (Use Subassembly E) on the electrical trainer. Make the following measurements to complete this job sheet.



Measured Values

	Actual Ohms	Voltage Drop	Amps
100Ω			
1,000Ω			
10,000Ω			

Calculated Values

	Measure Actual Ohms	Measure Voltage Drop	Calculate Amps
100Ω			
1,000Ω			
10,000Ω			

Instructor's Initials