

Ag Power and Equipment Technician

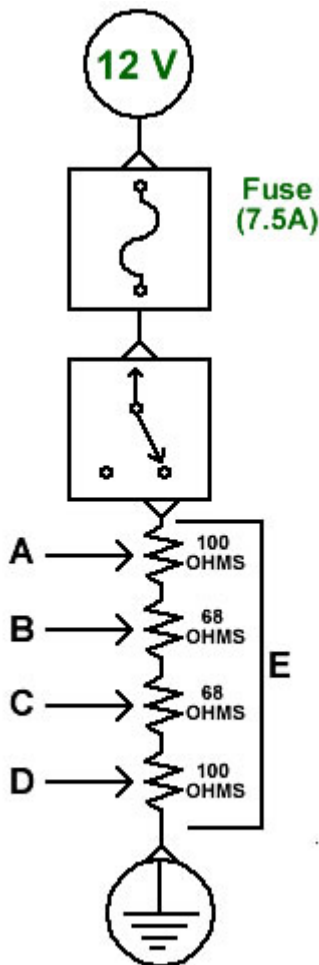
Electrical/Electronic Class
Series Circuits – Lab 5

Name _____

Date _____

Competency: Understanding series circuit characteristics.

Directions: Using our color coding strategy, highlight this circuit then have your instructor sign off the job sheet. Then build the circuit shown below (Use Subassembly G) on the electrical trainer. Make the following measurements to complete this job sheet.



Measure Voltage Drop at the following resistors	
A	
B	
C	
D	
E	
Total Current	
Amps	
Milliamps	

Instructor's Initials